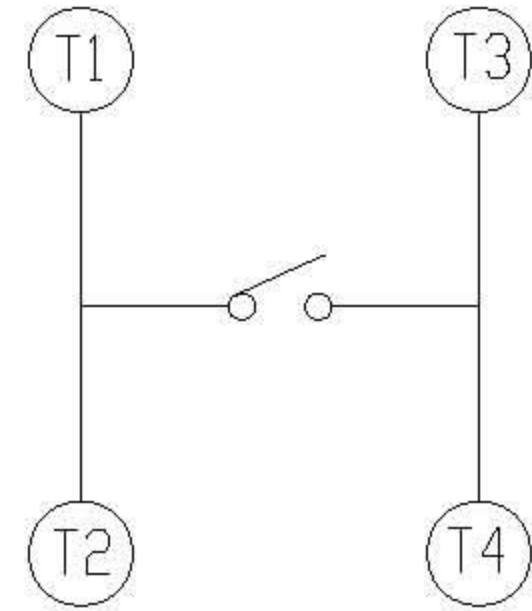
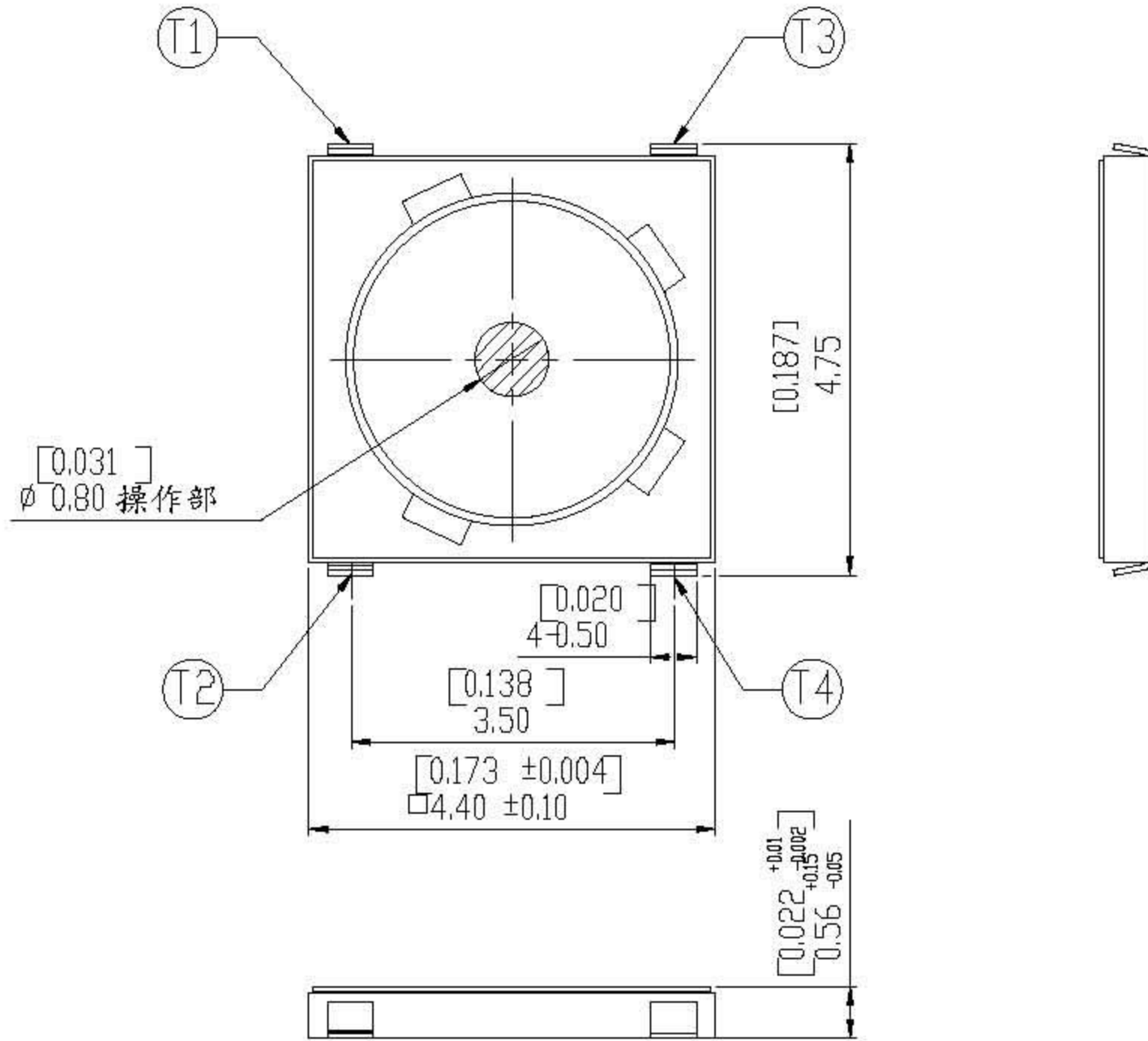


TJ-4 SERIES

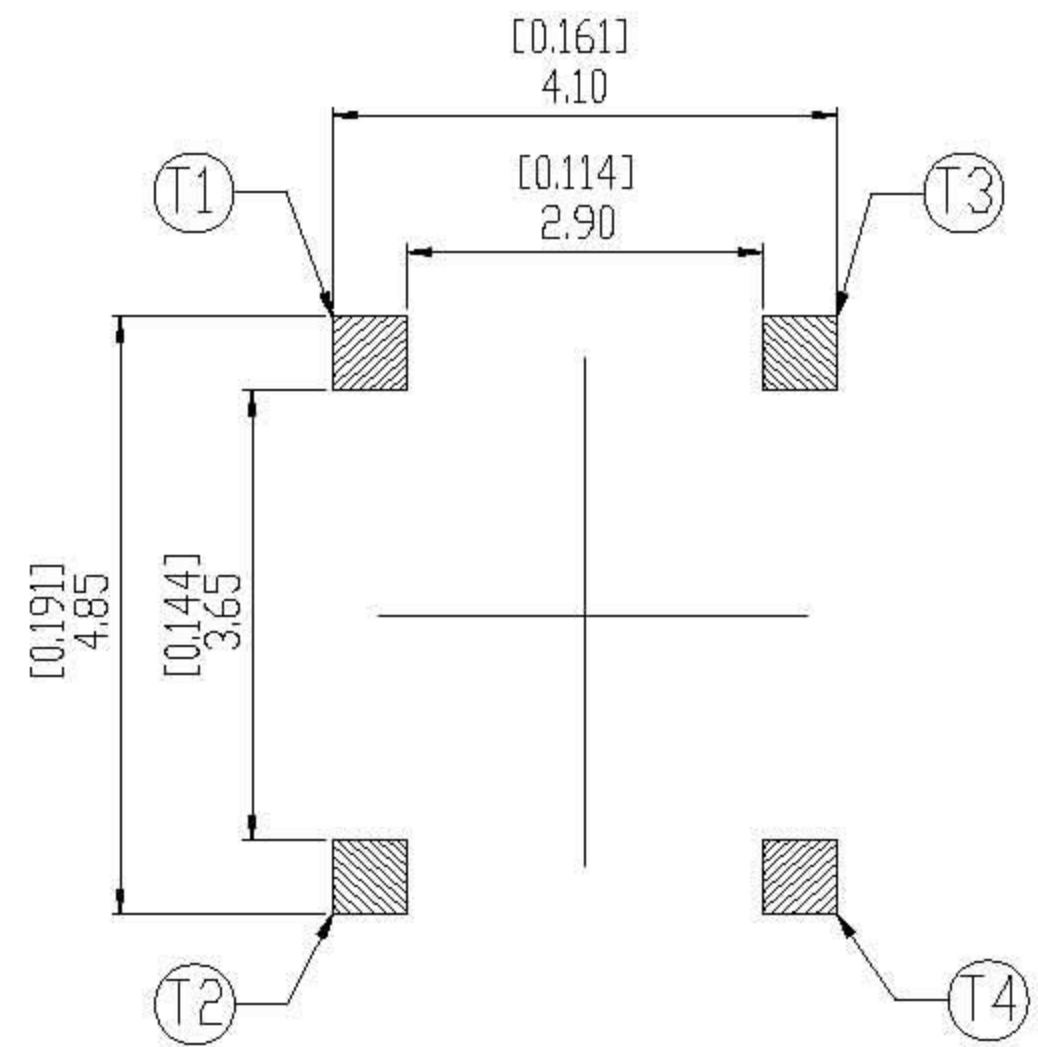


DIMENSION

TJ4



CIRCUIT DIAGRAM

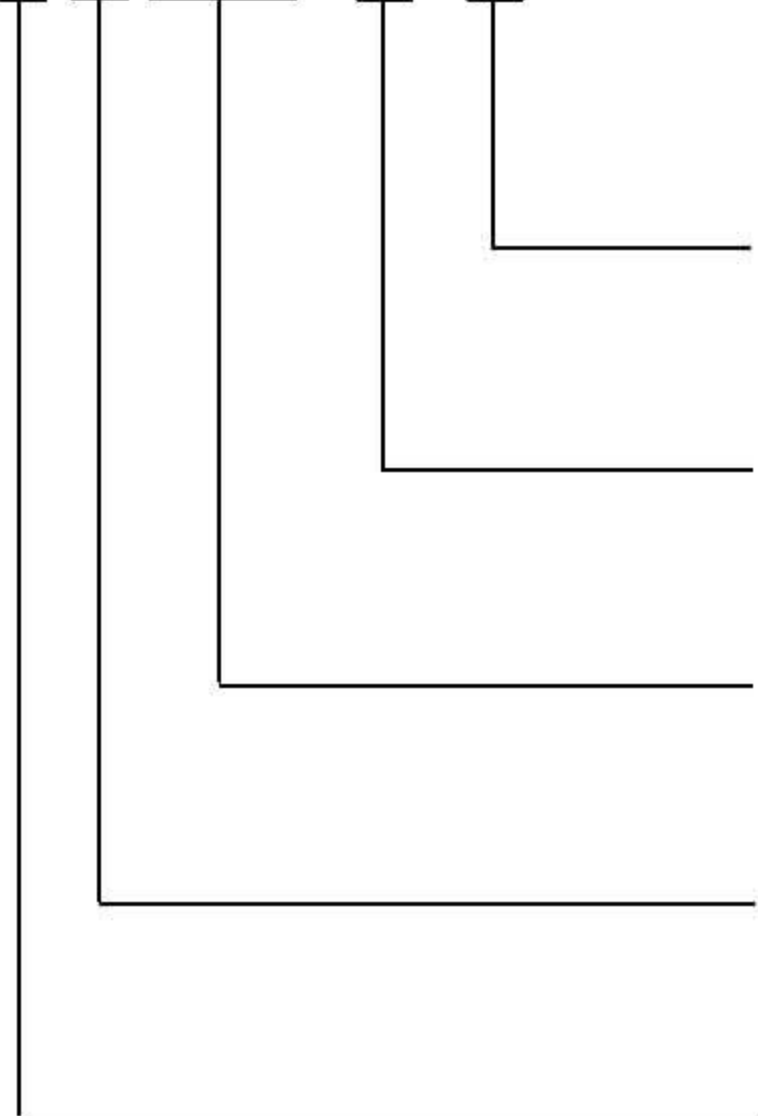


P.C.B. LAYOUT

General Tolerance : $\pm 0.2\text{mm}$

HOW TO ORDER

T J - 4 - V -



- Package :**
T/R = Tape & Reel
- Soldering :**
V = Lead Free Solderable
- Operating Force :**
16 = 160gf
- Prod. Size.**
4 = 4.4X4.4mm
- Terminal Type**
J = J Bend

SPECIFICATION

△MECHANICAL

Operation Force : 160±50gf <TJ-416>
 Stroke : 0.2±0.1mm
 Operation Temperature Range : -20°C to +70°C
 Storage Temperature Range : -30°C to +80°C

△ELECTRICAL

Electrical Life : 200,000 cycles.
 50 mA, 12 VDC
 Contact Resistance : 100 mΩ max.
 Insulation Resistance : 100MΩ min. at 500 VDC
 Dielectric Strength: 350 VAC/1 minute
 Contact Arrangement : 1 pole 1throw

MATERIAL

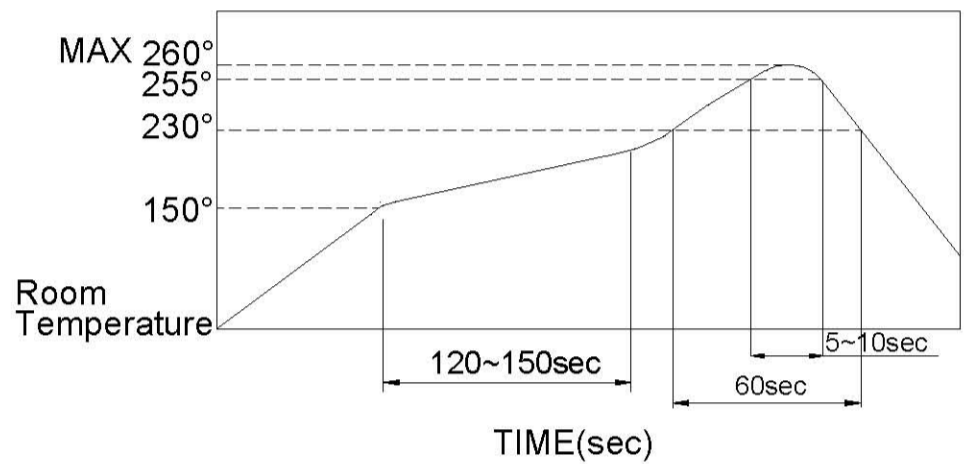
△BASE : UL 94V-0 LCP High-Temp Thermoplastic.
 Color : Black
 △CONTACT : Stainless steel with silver cladding.
 △TERMINAL : Phosphor bronze with silver cladding.
 △TAPE : Kapton.

SOLDERING PROCESS

△HAND SOLDERING : Use a soldering iron of 30 watts, controlled at 350°C approximately 5 seconds while applying solder.

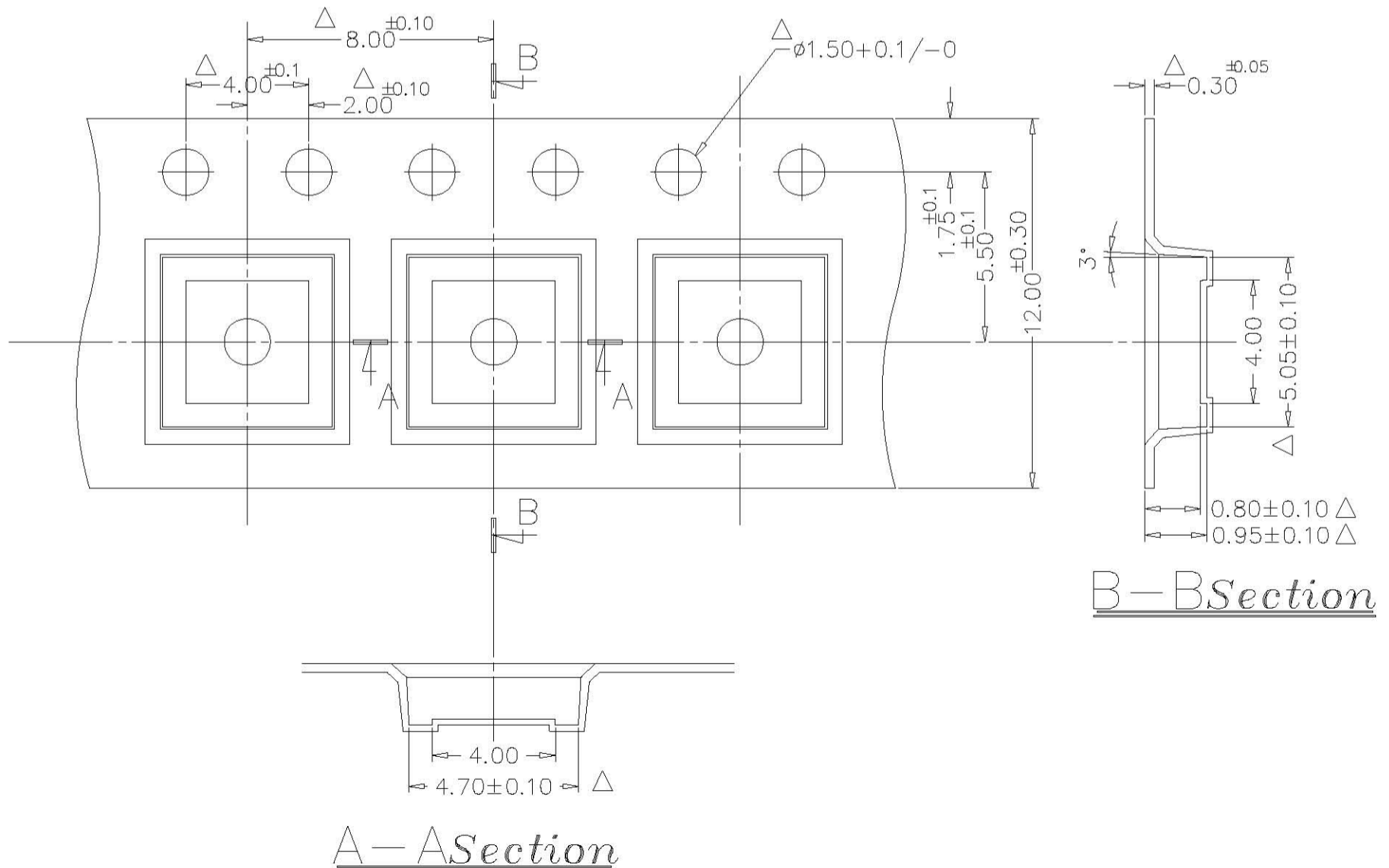
△REFLOW SOLDERING : Vapor phase & reflow soldering can be applied.

△Temperature Profile :



PACKING

Part Number	Number Per Tube	Number Per Reel
TJ-4	-	8000



General Tolerance : ±0.1mm